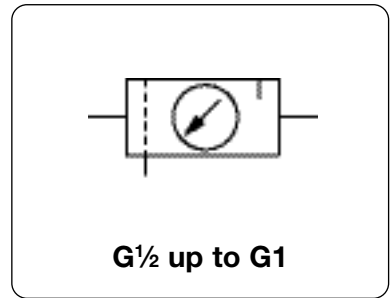


Description	"Maxi" FRL service units with pressure gauge are of modular design with exchangeable insert kits and have a high flow rate. All "maxi" instruments are easy to take out of fixed piping by simply removing the two fastening bolts on the insert kits.	
Media	compressed air or non-corrosive gases	
Supply pressure	max. 17 bar	
Adjustment	by plastic knob with snap-lock at C20,	by T-handle with locknut at C21
Relieving function	relieving, optionally non-relieving	
Gauge port	G $\frac{1}{4}$ on both sides of the body	
Drainage	manual drain as standard,	
Temperature range	0 °C to 70 °C / 32 °F to 158 °F 0 °C to 50 °C / 32 °F to 122 °F for automatic or semiautomatic drain version	
Material	Body: zinc die-cast Knob (C20): glass fibre-reinforced plastic Bowl: zinc die-cast Elastomer: NBR/Buna-N	Filter element: 40 μ m, optionally 5 μ m, made of polypropylene Bowl: metal version with sight glass Spring cage: zinc die-cast T-handle (C21): steel Sight glass: polyurethane Inner valve: brass and plastic



Dimensions			Combination consisting of	Bowl design made of / with	Flow rate		Connection thread G	Order number
A	B	C			m 3 /h*1	l/min*1		

FRL unit, 2-part				P: max. 17 bar, P $_2$: 0.3...9 bar, 40 μ m, manual drain, relieving, with pressure gauge			C20
178	289	175	B+L20	metal / sight glass	276	4600	G $\frac{1}{2}$ C20-04BL-W
203	289	175	B+L20	metal / sight glass	276	4600	G $\frac{1}{2}$ C20-04BL-W
					390	6500	G $\frac{3}{4}$ C20-06BL-W
					402	6700	G1 C20-08BL-W



FRL unit, 3-part				P: max. 17 bar, P $_2$: 0.3...9 bar, 40 μ m, manual drain, relieving, with pressure gauge			C20
270	226	171	F+R+L20	metal / sight glass	102	1700	G $\frac{1}{4}$ C20-02FRL-W
					174	2900	G $\frac{3}{8}$ C20-03FRL-W
					276	4600	G $\frac{1}{2}$ C20-04FRL-W
292	226	171	F+R+L20	metal / sight glass	390	6500	G $\frac{3}{4}$ C20-06FRL-W
					402	6700	G1 C20-08FRL-W



Special options, add the appropriate letter

T-handle	including locknut	C21-0 . . . -W
5 μm filter element		C20-0 . . . -WG
NPT	connection thread	C20-0 . . . -WN
0.2... 4 bar pressure range		C20-0 . . . -WB
0.5...17 bar pressure range		C20-0 . . . -WD
semiautomatic drain	RK500SY, max. 12 bar	C20-0 . . . -WM
automatic drain	SA605MD, max. 12 bar	C20-0 . . . -WR

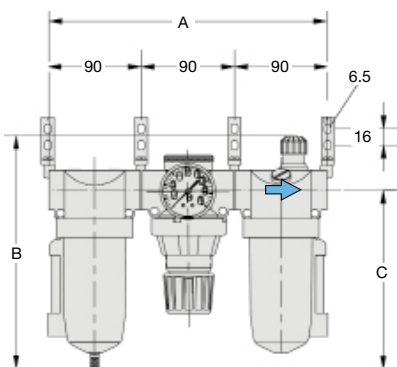
Accessories, enclosed

mounting bracket	mounting at the spring cage	BW45-02 B *
mounting nut	made of aluminium	M45x1,5A B *
mounting bracket set	made of steel, consisting of two mounting brackets	MK20-0100
porting block	tap G $\frac{1}{4}$, for unlubricated compressed air	IK20CP

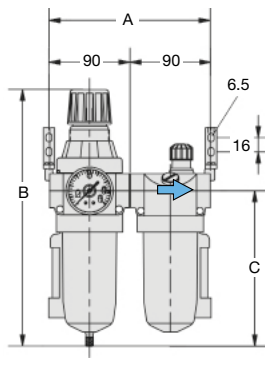


IK20CP

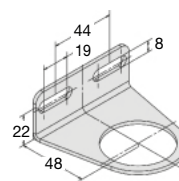
IK20V



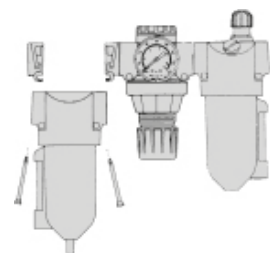
C20-.. FRL mit MK20-0100



C20-.. BL mit MK20-0100



BW45-02



dismantling from fixed piping

*1 at 8 bar supply pressure, 6 bar outlet pressure and 1 bar pressure drop

* Product group

Further details: see chapter for single devices

PDF CAD
www.aircom.net



Order example:
C20-04BL-W